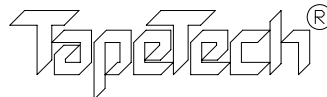



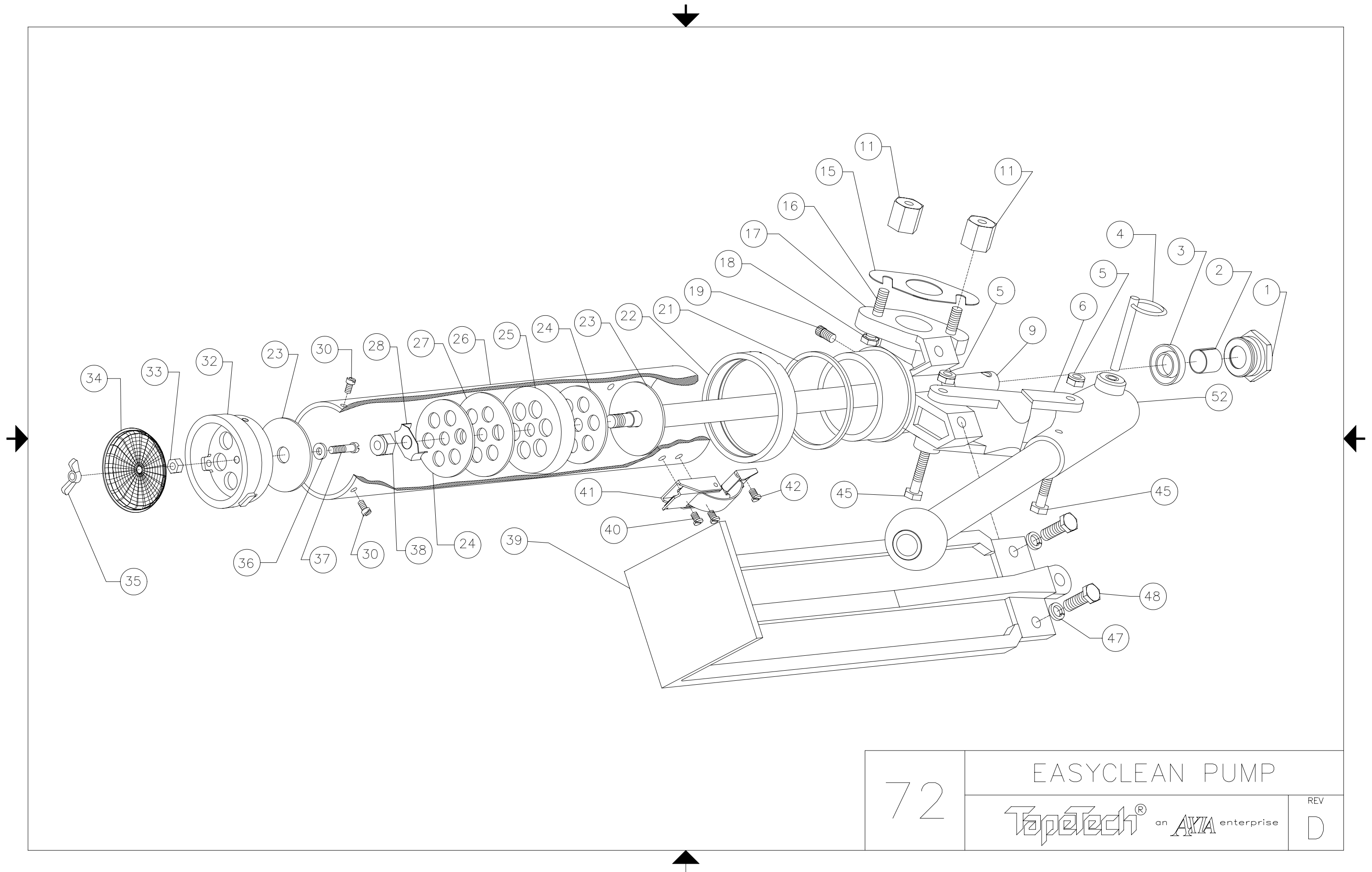


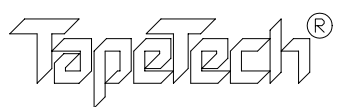

REVISIONS				
ECN	REV	DESCRIPTION	DATE	BY
	A	RELEASED	12/93	E.B.
877	B	Add (1) 700009,728001 Del (1) 709050,724001	11/97	MWJ
1163	C	UPDATE DRAWING TO MATCH CURRENT BOM	02/01	HM
1205	D	REPLACE 700009 WITH 720009	08/01	HM

Item No.	Part No.	Description	Qty.	Item No.	Part No.	Description	Qty.
①	1	700004F Gland	1	29			
	2	700029 Bushing Liner	1	30	709017	Screw, 10-32 x 3/8 Fill. Hd. SST.	3
	3	700005 'U' Cup	1	31			
	4	724065 Quick Release Pin	1	32	700011F	Foot Valve	1
	5	709052 Stop Nut, 1/4-20 Thin Pattern	2	33	709056	Nut, 10-24, Hex. SST.	1
②	6	700015F Link	1	34	700032F	Screen (Fine)	0
	7			34	700033F	Screen (Coarse)	2
③	8	729069 Thread Cutter Screw (Repair only)		35	209030	Wing Nut, 10-24, SST.	1
④	9	700002F Piston Rod	1	36	709012	Washer	1
⑤	10			37	709055	Screw, 10-24 x 7/8 Rd. Hd. SST.	1
	11	700037 Special Nut	2	38	709027	Lock Nut, 3/8-16 Flex. Loc. SST.	1
⑥	12			39	706020F	Foot Bracket	1
⑦	13						
	14			40	729063	Screw, 8-32 x 3/16 Bd. Hd. SST.	4
	15	700049 Gasket	2	41	724061F	Clamp Assy.	2
	16	700036 Stud, 5/16-24 x 1 7/16	2	42	729064	Screw, 8-32 x 3/8 Bd. Hd. SST.	2
⑧	17	728001F Easy Clean Pump Head	1	43			
	18	709007 Nut, 5/16-24 Hex.	2	44			
	19	709006 CapScrew, 1/4-20 x 5/8 Soc. Hd. SST.	1	45	709051	CapScrew, 1/4-20 x 2 Hex. Hd.	2
	20			46			
	21	729060 'O' Ring	1	47	709024	LockWasher, 5/16 Med.	2
⑨	22	720066F 'O' Ring Enclosure	1	48	709023	CapScrew, 5/16-18 x 7/8 Hex. Hd.	2
⑩	23	700010F Valve Disk	2	49			
	24	700045 Small Retainer	2	50			
⑪	25	720009 Piston Cup	1	51			
⑫	26	720003G Cylinder	1	52	724018F	Handle Assy.	1
⑬	26						
	27	700008 Large Retainer	1				
	28	709046 Locator	1				



BY	DATE	EASYS CLEAN PUMP		
DRAWN MWJ	11/97			
CHKD MWJ	09/01			
APPVD		 an  enterprise		
ALL DIMENSIONS IN INCHES UNLESS OTHERWISE NOTED TOLERANCES UNLESS NOTED XX ± 0.010 XXX ± 0.005 ANGLES ± 1/2°				
MATERIAL	SIZE B	SCALE	DWG NO. 72TT	REV D
ASSEMBLY REF. NO.			SHEET 1 of 1	



72	EASYCLEAN PUMP	
	 an  enterprise	REV D