

Item No.	Part No.	Description	Qty.
Ⓑ 1	506001G	Housing Assy.	1
2	059156	Screw, 4-40 x 5/16 Bind Head SST.	3
3	609018	Plastic Washer	1
4	502034	Latch	1
5	609020	Friction Washer	1
6	609021	Screw, 10-32 x 5/8 Round Head SST.	1
7	059084	SetScrew, 8-32 x 1/4 1/2 Dog SST.	1
Ⓓ 8	352002F	Valve Holder	1
9	059060	Stopnut, 3-48 Hex., Nylock S.S.	1
Ⓓ 10	059061F	Valve Spring	1
Ⓓ 11	354003F	Filler Body Assy.	1
12	559017	Screw, 1/4-20 x 5/8 Hex. HD.	2
Ⓓ 13	050064F	Valve	1
Ⓑ 14	500028	Wiper	1
15	500018	Pressure Plate	1
16	059225	Nut, 10-32	1
Ⓓ 17	552005F	Handle Connector	1
18	809011	ThumbScrew, 5/16-18 x 3/4 Dog Point	1
Ⓓ 19	364022	Handle Assembly	1
20	059051	Screw, 6-32 x 3/16 Fillister Head SST.	2
Ⓓ 21	502005F	Pivot	1
22	502007	Nyliner Bushing	2
23	502006	Pivot Bearing	2
24			
Ⓓ 25	500003F	Seal Holder	1
26	509008	Screw, 10-32 x 1/2 Bind Head SST.	2
27	359005	Screw, 6-32 x 1/4 Bind Head SST.	4
28	502019	Seal	1
Ⓓ 29	151042	Handle Grip, Black	1
30	059012	Screw, 6-32 x 3/8 Fillister Head SST.	4
31	123421	Label	1
32	609012	LockNut, 4-40 SST.	5
Ⓑ 33	506009	Cone	1
34	509010	Screw, 4-40 x 5/16 Flat Head SST.	2

REVISIONS				
ECN	REV	DESCRIPTION	DATE	BY
	A	RELEASED	12/93	E.B.
1005	B	UPDATE PER ECN 1005	02/00	HM
1050	C	CHANGE 508009 TO 506009, ADD LABEL	05/00	HM
1184	D	364022 WAS 354022, ADD 156042, UPDATE w/F PNs	07/01	MWJ
1231	E	REMOVE HANDLE AND GRIP	10/01	MWJ
1245	F	REVERT BACK TO REV E CONFIG. PER IT REQUEST	01/02	HM
1404	G	REPLACE 156042 WITH 151042	04/05	MWJ

Ⓔ Ⓕ

Ⓔ Ⓕ Ⓖ

Ⓒ

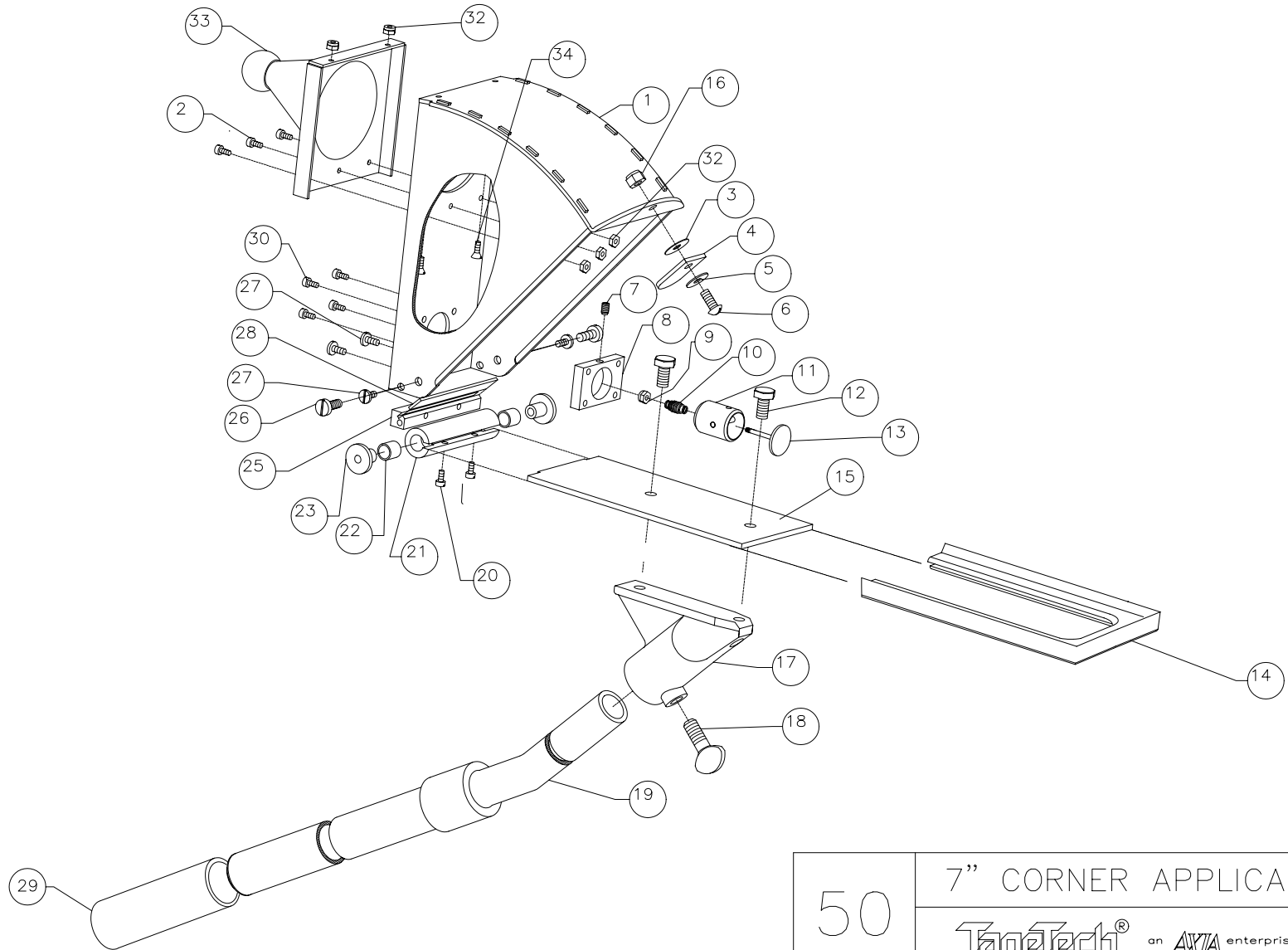
Ⓒ

	BY	DATE
DRAWN	HM	01/00
CHKD	MWJ	04/05
APPVD		
ALL DIMENSIONS IN INCHES UNLESS OTHERWISE NOTED		
TOLERANCES UNLESS NOTED		
XX ± 0.010		
XXX ± 0.005		
ANGLES ± 1/2°		
MATERIAL		

7" CORNER APPLICATOR

TapTech® an **AXXA** enterprise

SIZE	SCALE	DWG NO.	REV
B		50 TT	G
ASSEMBLY REF. NO.			SHEET 1 of 2



50

7" CORNER APPLICATOR

TapeTech[®] an AXA enterprise

REV
G